



US00D475165S

(12) **United States Design Patent** (10) **Patent No.:** **US D475,165 S**
Biere et al. (45) **Date of Patent:** **** May 27, 2003**

(54) **INTAKE CLOSURE FOR CENTRAL VACUUM CLEANER**

(75) Inventors: **Darin J. Biere**, Webster City, IA (US);
Jason L. Werning, Ellsworth, IA (US)

(73) Assignee: **White Consolidated Industries, Inc.**,
Cleveland, OH (US)

(**) Term: **14 Years**

(21) Appl. No.: **29/139,231**

(22) Filed: **Mar. 27, 2001**

(51) **LOC (7) Cl.** **15-05**

(52) **U.S. Cl.** **D32/31**

(58) **Field of Search** D32/17-18, 21,
D32/25, 31, 1; D28/50; D30/158, 199;
D8/30; 15/344, 326, 314, 412, 301, 329,
320, 350, 352, 413, 345, 409, 32, 327.1,
327.2; 132/112; 68/222; 134/172, 198,
105; 55/372; 181/231; 285/401, 73

(56) **References Cited**

U.S. PATENT DOCUMENTS

1,942,358 A	1/1934	Grathwol	
D211,826 S	* 7/1968	Matthews	D32/31
3,676,986 A	* 7/1972	Reiling	55/472
D229,164 S	* 11/1973	Tevis	D8/353
D232,514 S	* 8/1974	Mol	D32/31
4,591,368 A	5/1986	MacDuff	
4,602,654 A	* 7/1986	Stehling et al.	285/74

4,938,309 A	7/1990	Emdy	
D349,370 S	* 8/1994	Salo et al.	D32/31
5,400,463 A	* 3/1995	Attard et al.	15/326
5,692,542 A	* 12/1997	Smith	138/89
5,737,797 A	4/1998	Rittmueller et al.	
5,813,085 A	9/1998	Fritz et al.	
6,052,863 A	4/2000	Rittmueller et al.	
6,102,450 A	* 8/2000	Harcourt	285/401
6,131,958 A	* 10/2000	Craig	285/136.1
6,209,585 B1	* 4/2001	Lin	138/89
6,292,977 B1	* 9/2001	Mantyla et al.	15/310
6,447,027 B1	* 9/2002	Lilley et al.	285/360

* cited by examiner

Primary Examiner—Ruth McInroy

(74) *Attorney, Agent, or Firm*—Pearne & Gordon LLP

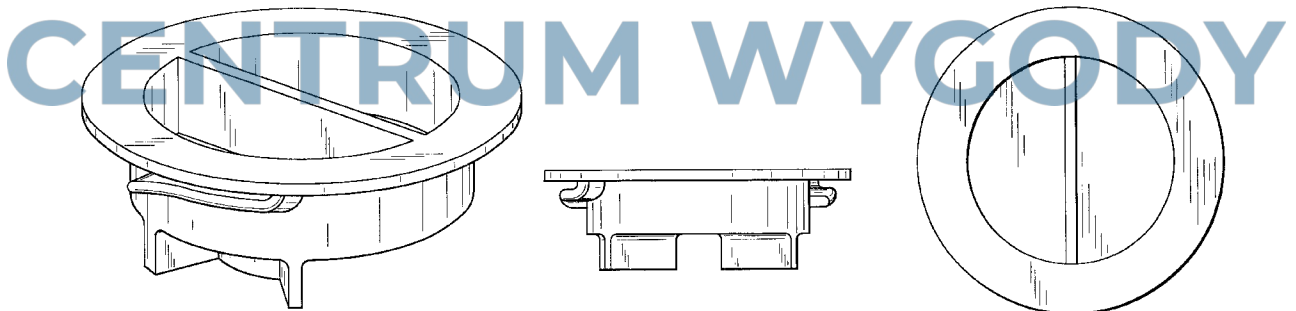
(57) **CLAIM**

The ornamental design for an intake closure for central vacuum cleaner, as substantially shown and described.

DESCRIPTION

FIG. 1 is a perspective view of an intake closure, showing our new design;
FIG. 2 is a front elevational view thereof, a rear elevational view thereof being the same;
FIG. 3 is top view thereof;
FIG. 4 is right side elevational view thereof, a left side elevational view thereof being the same; and,
FIG. 5 is a bottom view thereof.

1 Claim, 2 Drawing Sheets



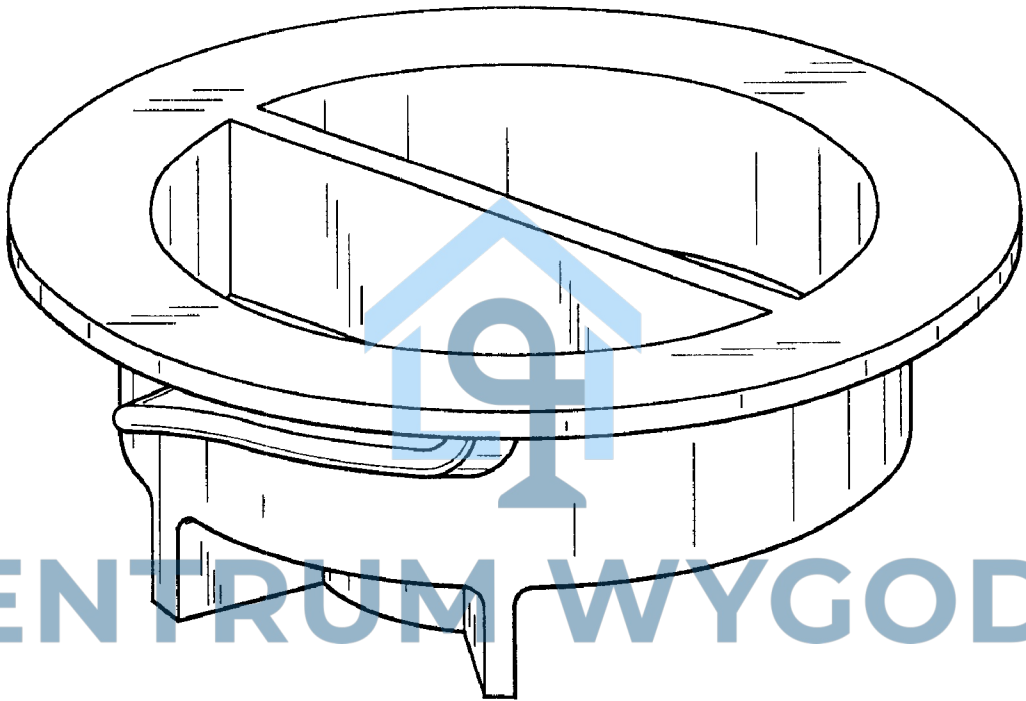


FIG. 1

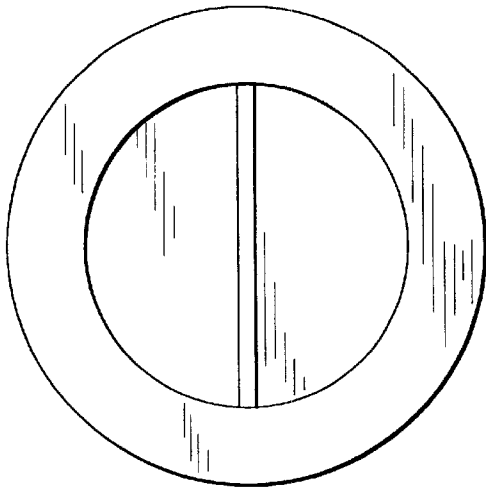


FIG. 3

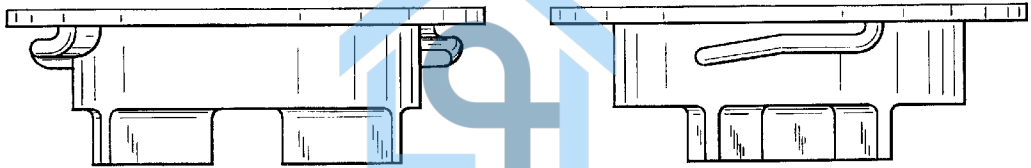


FIG. 2

FIG. 4

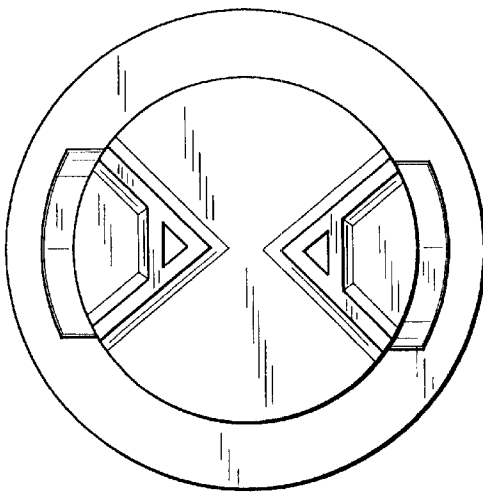


FIG. 5

CENTRUM WYGODY