



US00D488270S

(12) **United States Design Patent** (10) **Patent No.:** **US D488,270 S**
Biere et al. (45) **Date of Patent:** **** Apr. 6, 2004**

(54) **INTAKE TUBE**
(75) Inventors: **Darin J. Biere**, Webster City, IA (US);
Jason L. Werning, Ellsworth, IA (US)
(73) Assignee: **White Consolidated Industries, Inc.**,
Cleveland, OH (US)
(**) Term: **14 Years**

4,591,368 A 5/1986 MacDuff
4,938,309 A 7/1990 Emdy
D349,370 S * 8/1994 Salo et al. D32/31
D355,244 S * 2/1995 Doragrip et al. D23/262
5,464,460 A * 11/1995 Bosses 55/374
5,737,797 A 4/1998 Rittmueller et al.
5,813,085 A 9/1998 Fritz et al.
6,052,863 A 4/2000 Rittmueller et al.

* cited by examiner
Primary Examiner—Ted Shooman
Assistant Examiner—C Tuttle
(74) *Attorney, Agent, or Firm*—Pearne & Gordon LLP

(21) Appl. No.: **29/139,197**
(22) Filed: **Mar. 27, 2001**

(51) **LOC (7) Cl.** **15-05**
(52) **U.S. Cl.** **D32/31; D32/25**
(58) **Field of Search** D32/15-25, 30-33;
D23/259, 262-264, 393, 394; 15/301, 310,
312.1, 312.2, 313-315, 319, 321, 414;
285/7, 222.1, 286.2, 292.1, 305, 308, 319,
330, 402, 405, 406, 414, 420, 421; 55/DIG. 8;
200/61.6; 439/191, 192, 195

(57) **CLAIM**
The ornamental design for an intake tube, as substantially shown and described.

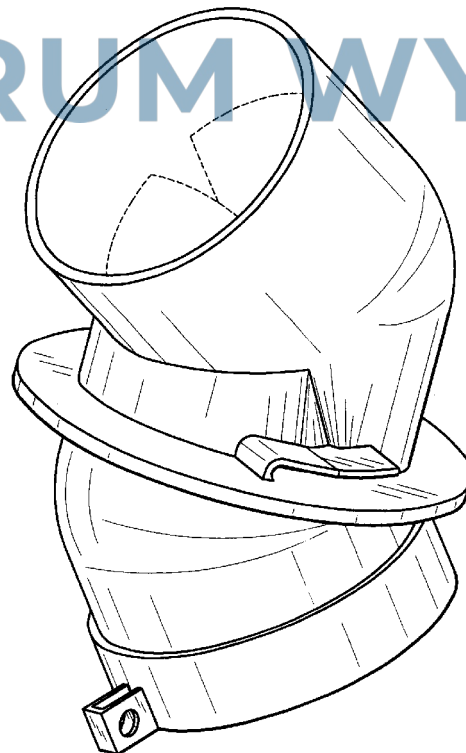
(56) **References Cited**
U.S. PATENT DOCUMENTS
171,964 A * 1/1876 Syversen 285/181
849,444 A * 4/1907 Weiser 285/420
1,179,995 A * 4/1916 Beckwith 126/307 R
1,942,358 A 1/1934 Grathwol
2,725,113 A * 11/1955 Fagyas 55/431
3,335,744 A * 8/1967 Hanford 137/360
4,557,535 A * 12/1985 Keane 439/13

DESCRIPTION

FIG. 1 is a perspective view of an intake tube, embodying our new design;
FIG. 2 is an inverted front elevational view thereof;
FIG. 3 is a right side elevational view of FIG. 2;
FIG. 4 is a top view of FIG. 2;
FIG. 5 is a left side elevational view of FIG. 2;
FIG. 6 is a rear elevational view of FIG. 2; and,
FIG. 7 is a bottom view of FIG. 2.
The structures shown in broken lines are for illustrative purposes only; and form no part of the claimed design.

1 Claim, 3 Drawing Sheets

CENTRUM WYGODY



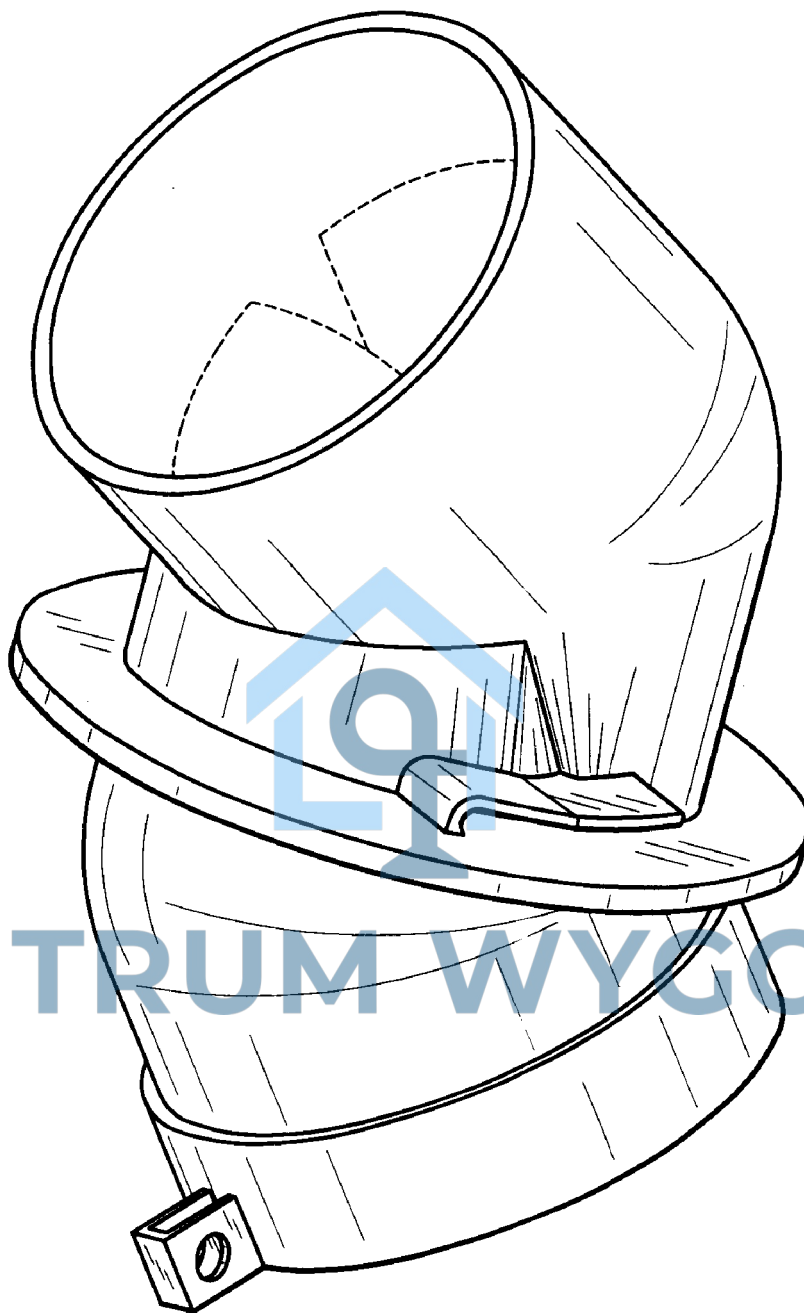


FIG. 1

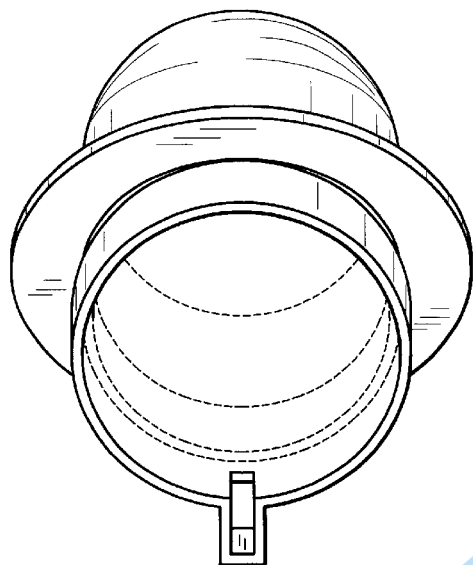


FIG. 4

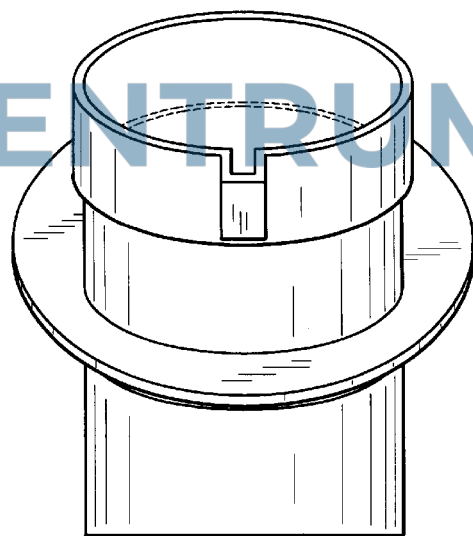


FIG. 2

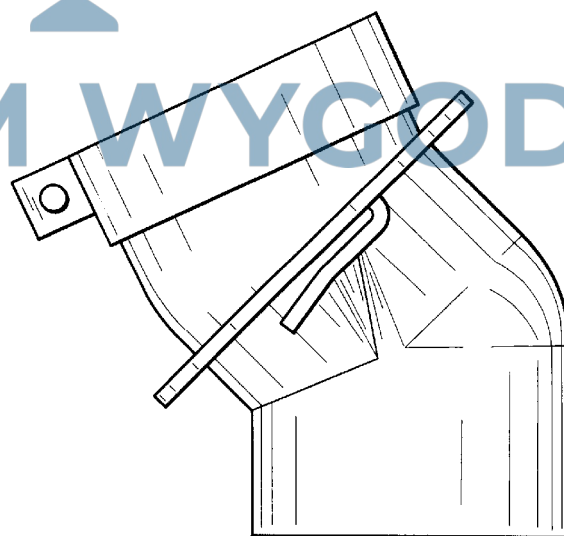


FIG. 3

CENTRUM WYGODY

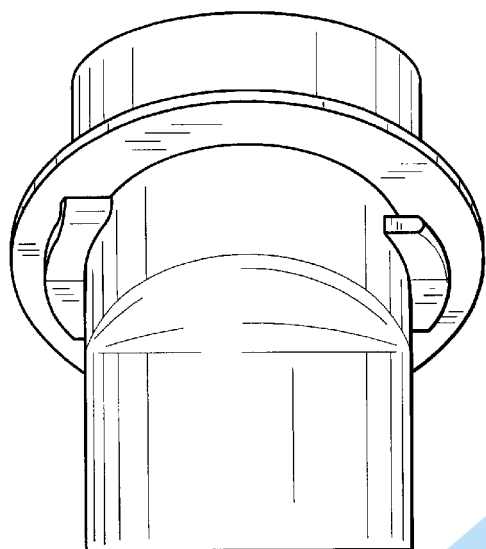


FIG. 6

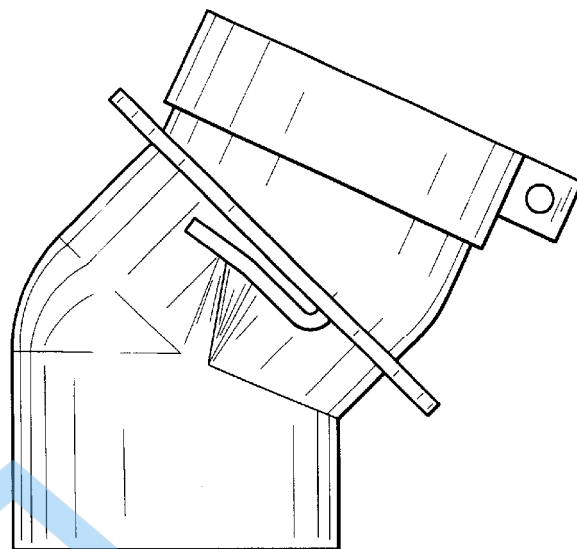


FIG. 5

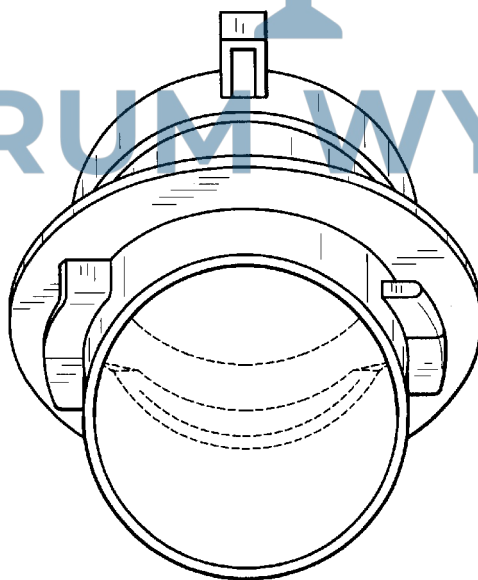


FIG. 7

CENTRUM WYGODY

UNITED STATES PATENT AND TRADEMARK OFFICE
CERTIFICATE OF CORRECTION

PATENT NO. : Des. 488,270 S
DATED : April 6, 2004
INVENTOR(S) : Darin Biere et al.

Page 1 of 1

It is certified that error appears in the above-identified patent and that said Letters Patent is hereby corrected as shown below:

Title page.

Item [54], Title, please delete the title and insert therefor -- **INTAKE TUBE FOR CENTRAL VACUUM CLEANER** --.



CENTRUM WYGODY

Signed and Sealed this

Thirty-first Day of August, 2004

A handwritten signature in black ink on a light gray grid background. The signature reads "Jon W. Dudas" in a cursive style.

JON W. DUDAS

Director of the United States Patent and Trademark Office